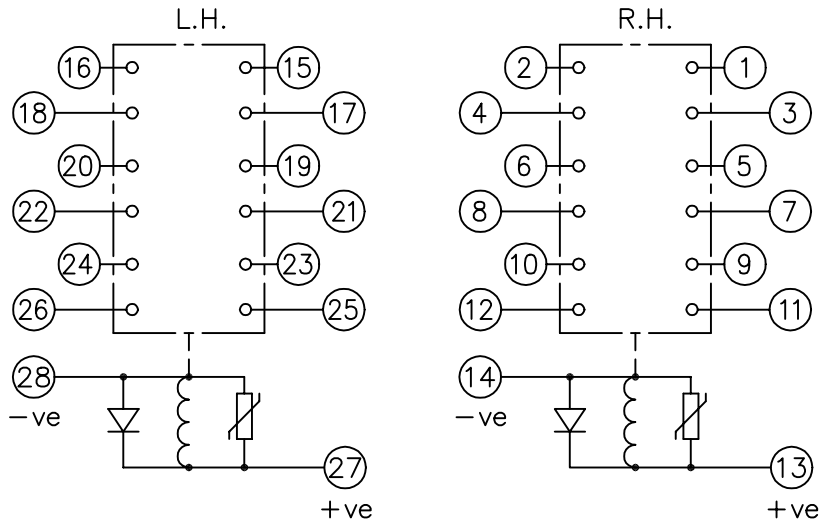


LOOKING ON FRONT OF RELAY



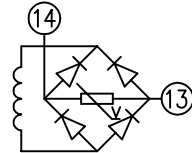
NOT SUBJECT TO UPDATE
ONCE COPIED / PRINTED
OR DOWNLOADED

KEY

- make contact
- break contact
- c/o contact
- ext. conn
- plug bridge - shorting
- metering point
- 5kv barrier
- test socket - shorting
- plug & socket

CONTACT CONFIG.	OUTPUT CONTACT PAIR / TERMINAL No.						
	R.H. →	1-3	2-4	5-7	6-8	9-11	10-12
	L.H. →	15-17	16-18	19-21	20-22	23-25	24-26
6M	M	M	M	M	M	M	M
5M 1B	M	B	M	M	M	M	M
4M 2B	B	B	M	M	M	M	M
3M 3B	B	B	M	B	M	M	M
2M 4B	B	B	B	B	M	M	M
1M 5B	B	B	B	B	M	B	B
6B	B	B	B	B	B	B	B

NOTE: WHEN RECTIFIER IS SPECIFIED COIL CONNS. ARE AS SHOWN.



FRAME REFERENCE: E4FS05.

FRAME TERMINAL BLOCK ASSY: -

ASSEMBLY INSTRUCTIONS: -
TYPICAL ASSEMBLY DRAWING 2995G10032.
AT INDICATED POSITIONS FIT AS FOLLOWS:
T - FIT TRIP ISOLATION CONTACT 2995B10053
S - FIT STANDARD CONTACT 2995B10054
SECURE CONTACTS USING FIXING SCREW 2109F99009.
POSITIONS SHOWN BLANK ARE UNUSED

2	T	T	1
4	T	T	3
6	T	T	5
8	T	T	7
10	T	T	9
12	T	T	11
14	S	S	13
16	T	T	15
18	T	T	17
20	T	T	19
22	T	T	21
24	T	T	23
26	T	T	25
28	S	S	27

VIEW FROM NUMBERED
SIDE OF BLOCK

OUTER TERMINAL BLOCK ASSY: -

ASSEMBLY INSTRUCTIONS: -
TYPICAL ASSEMBLY DRAWING 2995G10029.
AT INDICATED POSITIONS FIT AS FOLLOWS:
S - FIT STANDARD CONTACT 2995B10051
HC - FIT 'HEAVY CURRENT' KIT 2995G10030
WHERE IS SHOWN FIT CT SHORTING KIT 2995G10031
POSITIONS SHOWN BLANK ARE UNUSED.
ALL POSITIONS FIT SCREW 2106F12506.

2	S	S	1
4	S	S	3
6	S	S	5
8	S	S	7
10	S	S	9
12	S	S	11
14	S	S	13
16	S	S	15
18	S	S	17
20	S	S	19
22	S	S	21
24	S	S	23
26	S	S	25
28	S	S	27

VIEW FROM INSIDE
FACE

2	27/04/00	MN995/09	Title: T.B. AND W.D. FOR AR2-1D/2-2D 6 CONT. RELAYS IN EPSILON E4 CASE.		First used on:
			<div style="display: flex; justify-content: space-between;"> <div style="font-weight: bold; font-size: 1.2em;">Reyrolle Protection Hebburn.</div> <div style="text-align: center;">Original Scale. </div> </div>		Similar Articles:
ISSUE	DATE	MOD.No.			<div style="font-size: 2em; font-weight: bold;">2112W50067</div>
DRAWN: A.LAW.	CHECKED:	APPROVED: R.D.WATSON	DATE: 17/07/02	Copyright © 1999	